

Aldis in black box

PART NUMBER SC.000



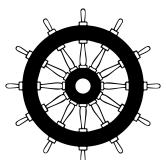
The portable LED light is made of aluminum alloy material and a high strength transparent tempered glass lampshade, ensuring uniform light output area.

Technical:

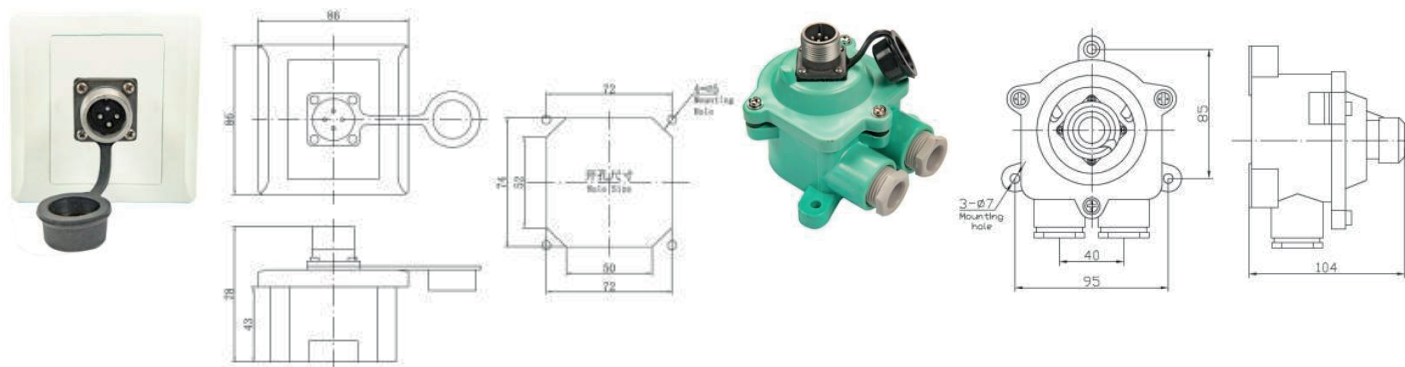
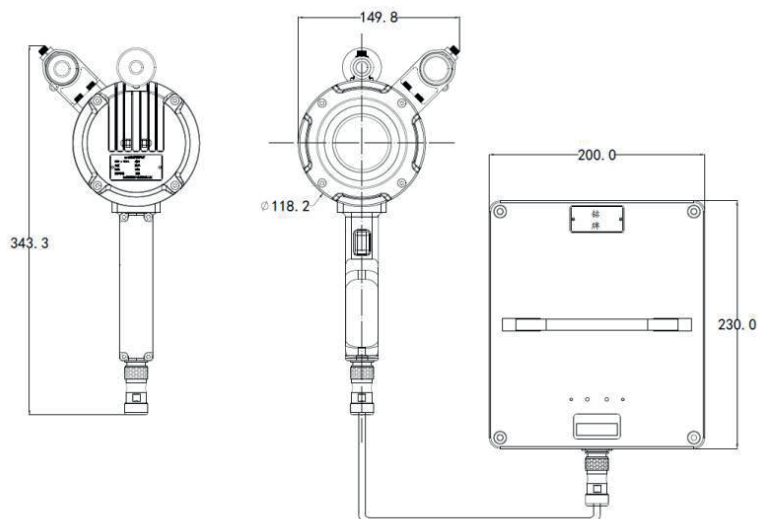
- Materials of Optics: Aluminum
- Light Source Type: LED
- Protection Class IP56
- CRI ≥ 80
- Lifetime(hr): 50,000h
- Certification: CCS/MED
- VRLA Battery (Valve Regulated Lead Acid)

Features:

- Reliability
- Save Energy
- Photoelectric integration module design
- Low maintenance costs
- Long Life



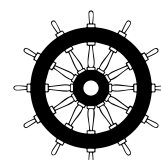
Dimensions and Accessories



Date Sheet

NAME	TYPE	WATT	INPUT VOLTAGE(V)	VISIBLE(n.m)	WEIGHT(kg)
LED Portable daylight signal light	SC. 000	9W	DC12/24V	2	7.5

Application area: Applied to use for day light signal communication between ship more than 150T.
 All ships of over 150 tons gross tonnage, when engaged on International voyages, shall have onboard an efficient daylight signalling lamp which shall not be solely dependant upon the main source of electrical power.



VRLA Battery



VRLA Battery

- completely sealed and maintenance-free, low self-discharge
- 100% precise quality testing, stable quality and high reliable performance
- Unique grid alloy formula and updated manufacturing technique
- Floating & standby use: up to 3 years
- Cycle use 1: More than 240 cycles at 100% DOD

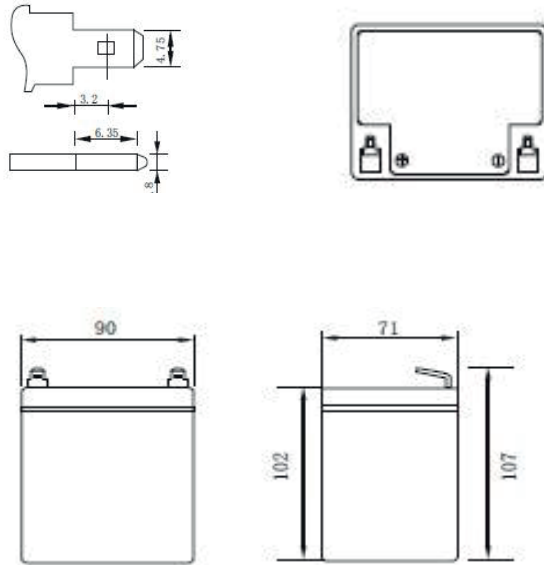
Application:

- Telecommunications
- UPS/EPS
- DC Power Supply
- Solar system
- Wind Power System
- Auto Control System

Construction:

- ComponentRaw material
- PositiveLead dioxide
- NegativeLead
- ContainerABS
- CoverABS
- SealantEpoxy
- Safety valveRubber
- TerminalCopper
- SeparatorFiber glass
- ElectrolyteSulfuric acid

Technical Data Sheet



Specification:

Battery Model	NP 4.5-12 12V4.5AH			
Designer Floating Life	Up to 3 Years			
Capacity (25°C)	20HR(0.225A,10.50V)	10HR(0.44A,10.50V)	5HR(0.765A,10.5V)	1HR(2.47A,10.5V)
	4.5AH	4.4AH	3.825AH	2.47AH
Dimensions	Length	Width	Height	Total Height
	90mm (3.54inch)	70mm (2.76inch)	101mm (3.98inch)	107mm (4.21inch)
Approx. Weight	1.385Kg (3.05 lbs)			
Internal Resistance	Full charged at 25°C: ≤45mΩ			
Self Discharge	2% of capacity declined per month at (25°C)			
Capacity Affected by Temp.(20HR)	40°C	25°C	0°C	-15°C
	102%	100%	88%	78%
Charge Voltage(25oC)	Cycle use		Float use	
	14.4-14.6V(-30mV/°C), max. Current: 1.35A		13.6-13.8V (-20mV/°C)	